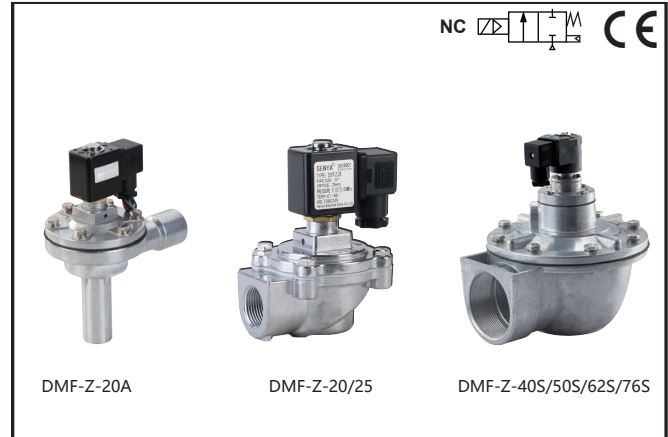


## Features

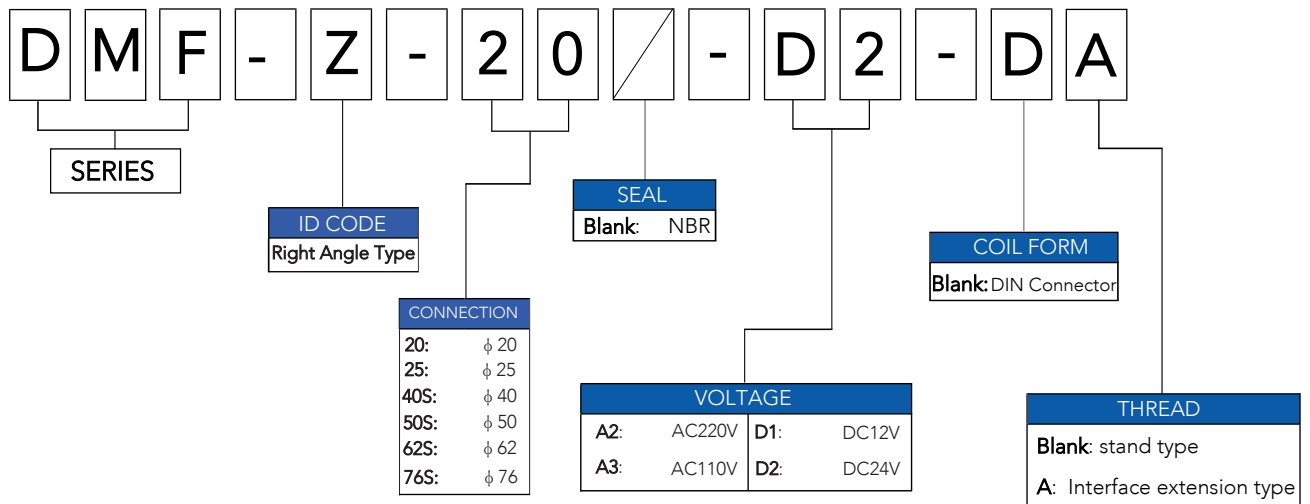
- Pulse valve special designed in dust-free industry.
- Long Lifetime and durable in use.
- Better production protection and high resistance in bad working environment.



## Electrical

Standard Coil  Class of Insulation	Watt Rating and Power Consumption				Spare Coil Part Number			
	DC		AC		General Purpose		Explosionproof	
	DC12V Watt	DC24V Watt	AC110V Watt	AC220V Watt	AC	DC	AC	DC
H/F	10W	11W	15VA	17VA	XHD-Z-AC	XHD-Z-DC	-	-
-	-	-	-	-	-	-	-	-
-	-	-	-	-	-	-	-	-

## Ordering Code

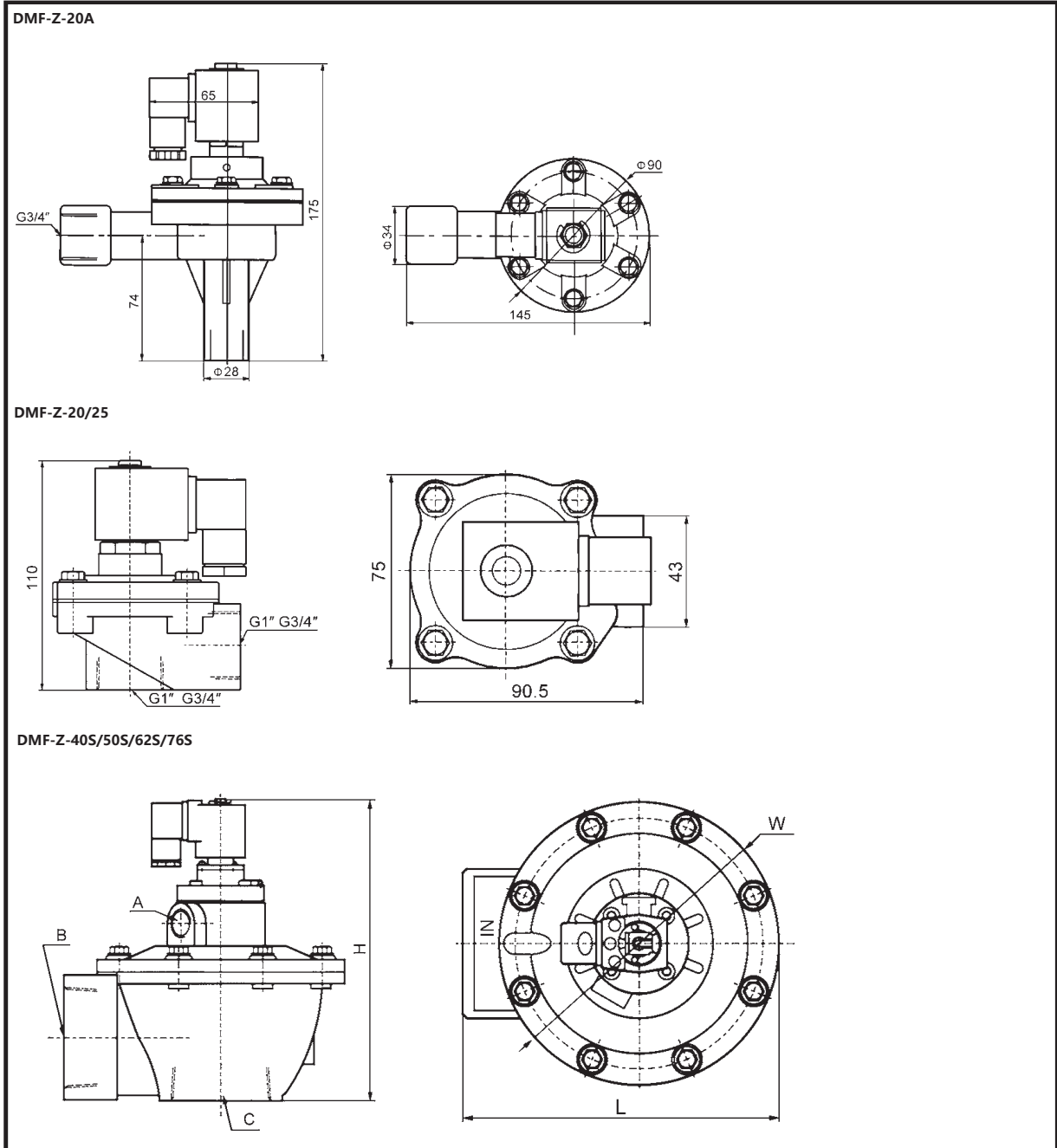


\*Note:  
Interface extension only available in φ 20 type

### Order Example:

DMF-Z series pulse valve, φ 40 port size, NBR seals, AC220, DIN connector, BSPP (G) thread.  
SENYA part#DMF-Z-40S-D2-D

**Dimensions Sheet (mm)**



Model	A	B	C	L	W	H
DMF-Z-40S-D2	G1/8"	G1 1/2"	G1 1/2"	135.5	128	173
DMF-Z-50S-D2	G3/8"	G2"	G2"	210	185	202
DMF-Z-62S-D2	G3/8"	G2 1/2"	G2 1/2"	210	185	222
DMF-Z-76S-D2	G3/8"	G3"	G3"	230.5	200	245

## Parameter Table

Model	DMF-Z-20	DMF-Z-25	DMF-Z-40S	DMF-Z-50S	DMF-Z-62S	DMF-Z-76S
Operating Pressure	0.3~0.8MPa					
Ambient Temperature	-5~55°C					
Relative Humidity	< 85%					
Working Medium	Clean Air					
Voltage	AC110V/AC220V/DC24V					
Diaphragm Material&Life	NBR; Blowing Over One Million Cycles					
Orifice	$\Phi$ 20	$\Phi$ 25	$\Phi$ 40	$\Phi$ 50	$\Phi$ 62	$\Phi$ 76
Connection Port	G3/4"	G1"	G1 <sup>1</sup> /2"	G2"	G2 <sup>1</sup> /2"	G3"
Protection Class	IP65					

## Specifications (Metric units)

Pipe Size (mm)	Orifice Size (mm)	CV Flow Factor	Operating Pressure Differential (Bar)							Max. Fluid Temp. °C		Casting Aluminum Body	Stainless Steel 304	Watt Rating/ Class of Coil Insulation	
			Max. AC			Max. DC									
			Min.	Air-Inert Gas	Water	Light Oil less 20 CST	Air-Inert Gas	Water	Light Oil less 20 CST	AC	DC	Catalog Number	Catalog Number	AC	DC
3/4	20	-	3	8	-	-	8	-	-	55	55	DMF-Z-20-D2	-	6.1/F	6.1/F
1	25	-	3	8	-	-	8	-	-	55	55	DMF-Z-25-D2	-	6.1/F	6.1/F
1-1/2	40	-	3	8	-	-	8	-	-	55	55	DMF-Z-40S-D2	-	6.1/F	6.1/F
2	50	-	3	8	-	-	8	-	-	55	55	DMF-Z-50S-D2	-	6.1/F	6.1/F
2-1/2	62	-	3	8	-	-	8	-	-	55	55	DMF-Z-62S-D2	-	6.1/F	6.1/F
3	76	-	3	8	-	-	8	-	-	55	55	DMF-Z-76S-D2	-	6.1/F	6.1/F

**\*Note:**

Standard Voltages must be specified when ordering. Other voltages please consult SENYA staff for more details