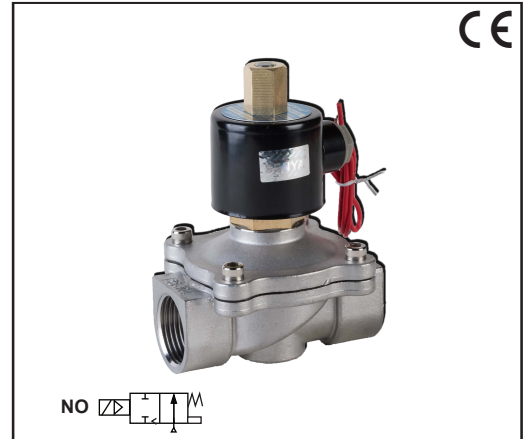


Features

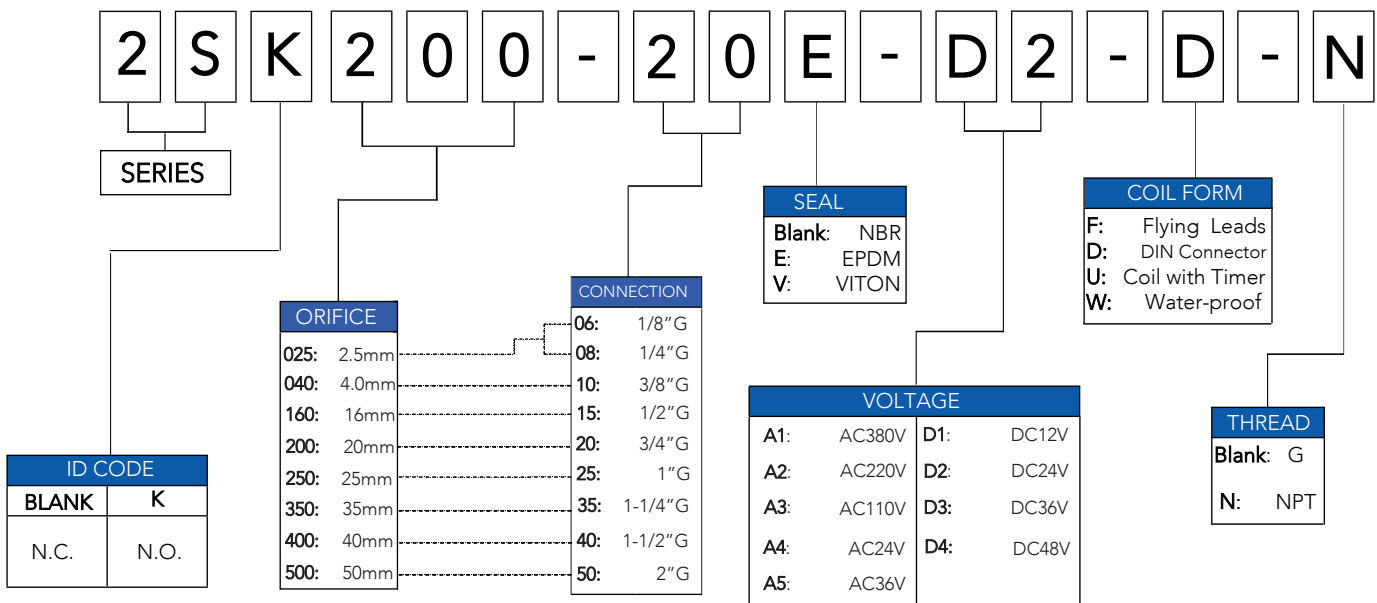
- Special design for long opening, it can extend product life cycle as default opening status
- Reliable, proven design with high flows
- Direct acting design, it has strong resistance to impurities in the medium



Electrical

Standard Coil Class of Insulation	Watt Rating and Power Consumption				Spare Coil Part Number			
	DC Watt	AC			General Purpose		Explosionproof	
		Watt	VA Holdin	VA Inrus	AC	DC	AC	DC
H/F	13	22	22	40	AB310-AC	AB310-DC	1680-AC	1680-DC
H/F	16	18	22	65	AB410-AC	AB410-DC	1661-AC	1661-DC
H/F	13	22	35	180	-	-	1381-AC	1381-DC

Ordering Code

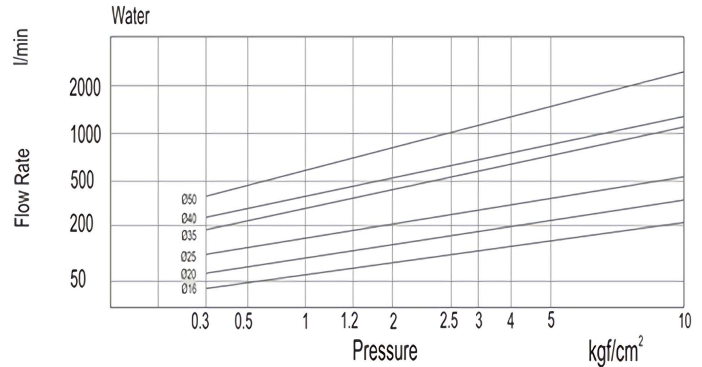


Order Example:

2W series N.O. direct acting 2/2 ways solenoid valve, 2" port size, EPDM diaphragm seals, DC24V, Flying leads, NPT thread.
SENYA part# 2WK500-50E-D2-F-N

Flow Rate Chart

Orifice		
Model	Port Size	Orifice
2WK160-15-A2-D	1/2"	16mm
2WK200-20-A2-D	3/4"	20mm
2WK250-25-A2-D	1"	25mm
2WK350-35-A2-D	1-1/4"	35mm
2WK400-40-A2-D	1-1/2"	40mm
2WK500-50-A2-D	2"	50mm



Specifications (Metric units)

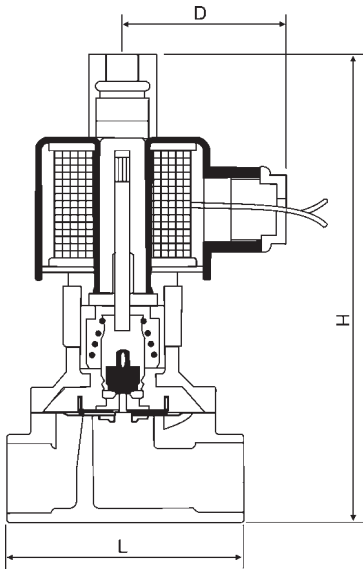
Pipe Size (in)	Orifice Size (mm)	CV Flow Factor	Operating Pressure Differential (Bar)							Max. Fluid Temp. °C		Brass	Stainless Steel 304	Watt Rating/ Class of Coil Insulation			
			Min.	Max. AC			Max. DC			AC	DC			Catalog Number	Catalog Number	AC	DC
				Air-Inert Gas	Water	Light Oil less 50 CST	Air-Inert Gas	Water	Light Oil less 50 CST								
NORMALLY CLOSED (Closed when de-energized)																	
1/8	2.5	0.23	0	7	7	7	5	5	5	80	80	2WK025-06-A2-D	2SK025-06-A2-D	6.1/F	11.6/F		
1/8	2.5	0.23	0	7	7	-	5	5	-	120	120	2WK025-06E-A2-D	2SK025-06E-A2-D	10.1/F	11.6/F		
1/8	2.5	0.23	0	7	7	7	5	5	5	120	120	2WK025-06V-A2-D	2SK025-06V-A2-D	6.1/F	11.6/F		
1/4	2.5	0.23	0	7	7	7	5	5	5	80	80	2WK025-08-A2-D	2SK025-08-A2-D	17.1/F	-		
1/4	2.5	0.23	0	7	7	-	5	5	-	120	120	2WK025-08E-A2-D	2SK025-08E-A2-D	6.1/F	11.6/F		
1/4	2.5	0.23	0	7	7	7	5	5	5	120	120	2WK025-08V-A2-D	2SK025-08V-A2-D	10.1/F	11.6/F		
3/8	4	0.6	0	8	8	5	5	5	5	80	80	2WK040-10-A2-D	2SK040-10-A2-D	17.1/F	11.6/F		
3/8	4	0.6	0	8	8	5	5	5	5	120	120	2WK040-10E-A2-D	2SK040-10E-A2-D	6.1/F	11.6/F		
3/8	4	0.6	0	8	8	5	5	5	5	120	120	2WK040-10V-A2-D	2SK040-10V-A2-D	17.1/F	-		
1/2	16	4.8	0	10	10	7	6	6	4	80	80	2WK160-15-A2-D	2SK160-15-A2-D	17.1/F	40.6H		
1/2	16	4.8	0	10	10	7	6	6	4	120	120	2WK160-15E-A2-D	2SK160-15E-A2-D	17.1/F	11.6/F		
1/2	16	4.8	0	10	10	7	6	6	4	120	120	2WK160-15V-A2-D	2SK160-15V-A2-D	6.1/F	11.6/F		
3/4	20	7.6	0	10	10	7	6	6	4	80	80	2WK200-20-A2-D	2SK200-20-A2-D	10.1/F	11.6/F		
3/4	20	7.6	0	10	10	7	6	6	4	120	120	2WK200-20E-A2-D	2SK200-20E-A2-D	6.1/F	11.6/F		
3/4	20	7.6	0	10	10	7	6	6	4	120	120	2WK200-20V-A2-D	2SK200-20V-A2-D	16.1/F	30.8/F		
1	25	12	0	10	10	7	6	6	4	80	80	2WK250-25-A2-D	2SK250-25-A2-D	16.1/F	30.8/F		
1	25	12	0	10	10	7	6	6	4	120	120	2WK250-25E-A2-D	2SK250-25E-A2-D	6.1/F	11.6/F		
1	25	12	0	10	10	7	6	6	4	120	120	2WK250-25V-A2-D	2SK250-25V-A2-D	20.1/F	-		
1-1/4	35	24	0	10	10	7	6	6	4	80	80	2WK350-35-A2-D	2SK350-35-A2-D	10.1/F	11.6/F		
1-1/4	35	24	0	10	10	7	6	6	4	120	120	2WK350-35E-A2-D	2SK350-35E-A2-D	6.1/F	11.6/F		
1-1/4	35	24	0	10	10	7	6	6	4	120	120	2WK350-35V-A2-D	2SK350-35V-A2-D	16.1/F	30.8/F		
1-1/2	40	29	0	10	10	7	6	6	4	80	80	2WK400-40-A2-D	2SK400-40-A2-D	16.1/F	30.8/F		
1-1/2	40	29	0	10	10	7	6	6	4	120	120	2WK400-40E-A2-D	2SK400-40E-A2-D	6.1/F	11.6/F		
1-1/2	40	29	0	10	10	7	6	6	4	120	120	2WK400-40V-A2-D	2SK400-40V-A2-D	20.1/F	-		
2	50	48	0	10	10	7	6	6	4	80	80	2WK500-50-A2-D	2SK500-50-A2-D	17.1/F	-		
2	50	48	0	10	10	7	6	6	4	120	120	2WK500-50E-A2-D	2SK500-50E-A2-D	16.1/F	30.8/F		
2	50	48	0	10	10	7	6	6	4	120	120	2WK500-50V-A2-D	2SK500-50V-A2-D	6.1/F	11.6/F		

***Note:**

Standard Voltages must be specified when ordering. Other voltages please consult SENYA staff for more details

Dimensions Sheet (mm)

Valve Dimensions (mm)



Model	Port Size	H	L	D
2SK025-08-A2-D	1/8	48	100	62
2SK040-10-A2-D	1/4	53	105	62
2SK160-10-A2-D	3/8	66	126	62
2SK160-15-A2-D	1/2	66	126	62
2SK200-20-A2-D	3/4	70	130	62
2SK250-25-A2-D	1	92	139	62
2SK350-35-A2-D	1-1/4	112	186	62
2SK400-40-A2-D	1-1/2	123	197	62
2SK500-50-A2-D	2	168	225	62

IMPORTANT: Valves may be mounted in any position, except as noted in specifications table.